

**GIMMI**®



**Endoscopic Technology**

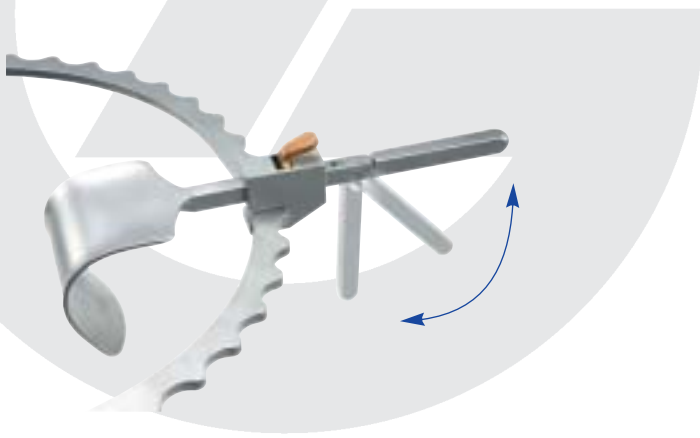
*ALPHAFIX SYSTEM pat. pend.*

Chirurgisches Retraktoren System  
Surgical Retractor System  
Sistema de retracción quirúrgica  
Système d'écarteurs chirurgicaux  
Sistema di divaricazione chirurgica



# ALPHAFIX SYSTEM

134°C  
AUTOCLAVE  
2,3 bar



"SURGICAL KIT"



"VAGINAL KIT"



## ALPHAFIX SYSTEM

Fixierelemente und Valvenhalterungen  
Holding devices and Retractor Blade Holders  
Dispositivos de soporte y dispositivos de fijación  
Dispositifs de support et support pour écarteur  
Dispositivi di supporto e supporti per divaricatori

134°C  
AUTOCLAVE  
2,3 bar



**D.1100.30** Gelenkstativ  
Articulated stand  
Brazo multiarticulado  
Support multi-articulét  
Braccio multiarticolato



**D.1100.32** Tischfixierung  
Table fixation device  
Soporte lateral  
Accouplement lateral  
Aggancio laterale



**D.1100.52** Valvenhalterung, neigbar  
Tilt Retractor Blade Holder  
Dispositivo de fijación, basculante  
Support pour écarteur, inclinable  
Supporto per divaricatore, inclinabile



**D.1100.50** Valvenhalterung  
Retractor Blade Holder  
Dispositivo de fijación  
Support pour écarteur  
Supporto per divaricatore



**D.1100.90** Systemeigene Beleuchtung (GIMMI/STORZ Anschluß), ohne Linse  
Integrated System Illumination (GIMMI/STORZ connection), without lens  
Iluminación a luz fría (conexión GIMMI/STORZ), sin lente  
Illumination propre au système (connexion GIMMI/STORZ), sans lentille  
Illuminazione a luce fredda (connessione GIMMI/STORZ), senza lente

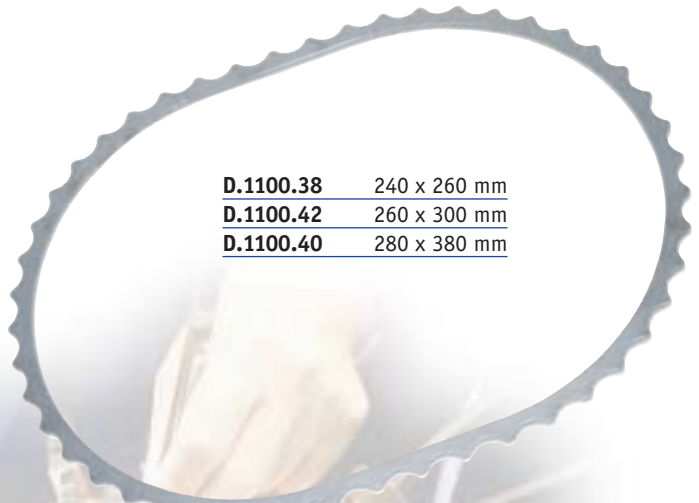
**D.1100.91** Linse für Beleuchtungssystem  
Lens for Illumination System  
Lente para sistema de iluminación  
Lentille pour système de illumination  
Lente per sistema d'illuminazione

**ALPHA*FIX* SYSTEM**

Ringe  
Rings  
Anillos  
Anneaux  
Anelli



D.1100.34    Ø 100 mm  
D.1100.36    Ø 110 mm

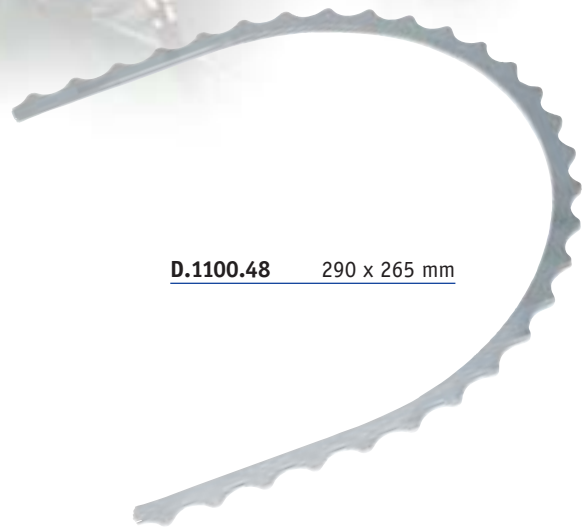


D.1100.38    240 x 260 mm  
D.1100.42    260 x 300 mm  
D.1100.40    280 x 380 mm



**Vaginal/Vaginale**

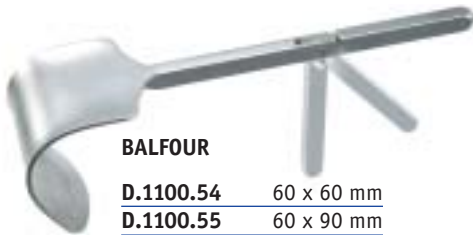
D.1100.44    200 x 270 mm  
D.1100.46    169 x 226 mm



D.1100.48    290 x 265 mm

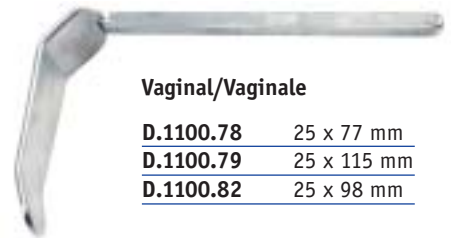
## ALPHAFIX SYSTEM

Valven  
Retractor Blades  
Valvas  
Valves  
Valve



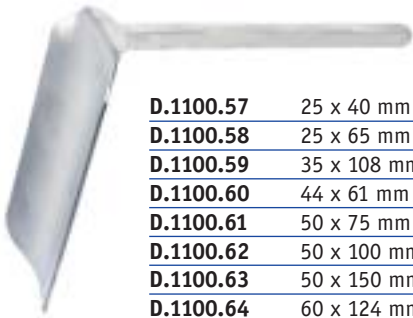
**BALFOUR**

<b>D.1100.54</b>	60 x 60 mm
<b>D.1100.55</b>	60 x 90 mm

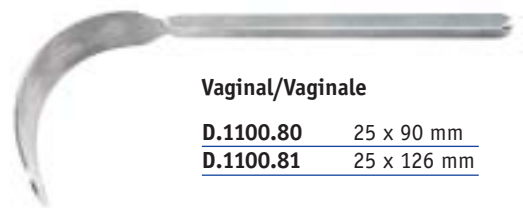


**Vaginal/Vaginale**

<b>D.1100.78</b>	25 x 77 mm
<b>D.1100.79</b>	25 x 115 mm
<b>D.1100.82</b>	25 x 98 mm

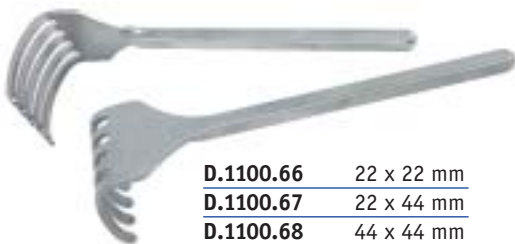


<b>D.1100.57</b>	25 x 40 mm
<b>D.1100.58</b>	25 x 65 mm
<b>D.1100.59</b>	35 x 108 mm
<b>D.1100.60</b>	44 x 61 mm
<b>D.1100.61</b>	50 x 75 mm
<b>D.1100.62</b>	50 x 100 mm
<b>D.1100.63</b>	50 x 150 mm
<b>D.1100.64</b>	60 x 124 mm



**Vaginal/Vaginale**

<b>D.1100.80</b>	25 x 90 mm
<b>D.1100.81</b>	25 x 126 mm



<b>D.1100.66</b>	22 x 22 mm
<b>D.1100.67</b>	22 x 44 mm
<b>D.1100.68</b>	44 x 44 mm
<b>D.1100.69</b>	44 x 53 mm



**HARRINGTON**  
**Biessam/Malleable/Maleables/  
Malleables/Malleabili**

<b>D.1100.84</b>	60 x 180 mm
<b>D.1100.85</b>	60 x 200 mm



**Biessam/Malleable/Maleables/  
Malleables/Malleabili**

<b>D.1100.71</b>	40 x 155 mm
<b>D.1100.72</b>	40 x 174 mm
<b>D.1100.73</b>	50 x 155 mm
<b>D.1100.74</b>	50 x 174 mm
<b>D.1100.75</b>	72 x 155 mm
<b>D.1100.76</b>	72 x 174 mm



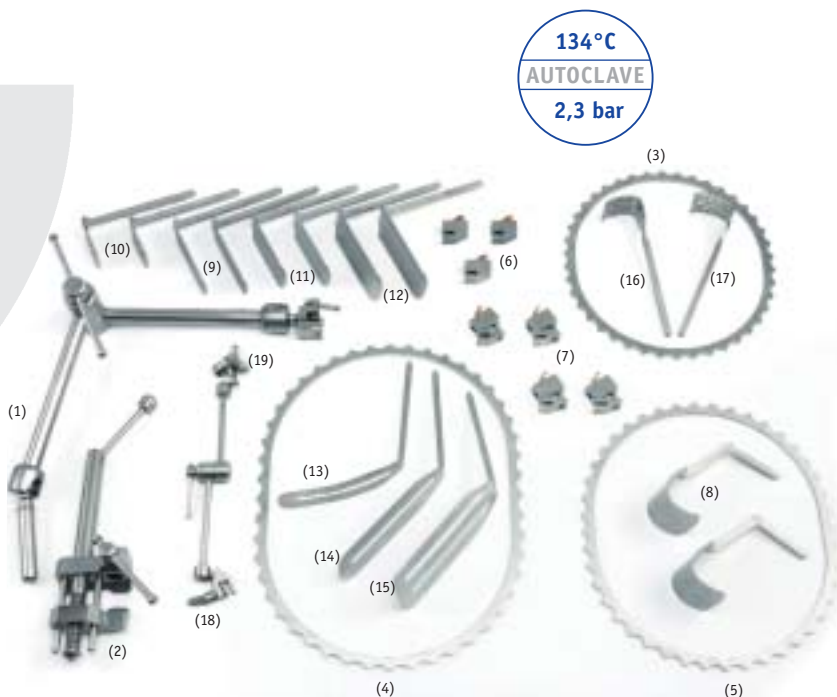
**Rectal/Rettale**

<b>D.1100.87</b>	22 x 75 mm
------------------	------------

## ALPHAFIX SYSTEM

### SURGICAL KIT D.1100.00

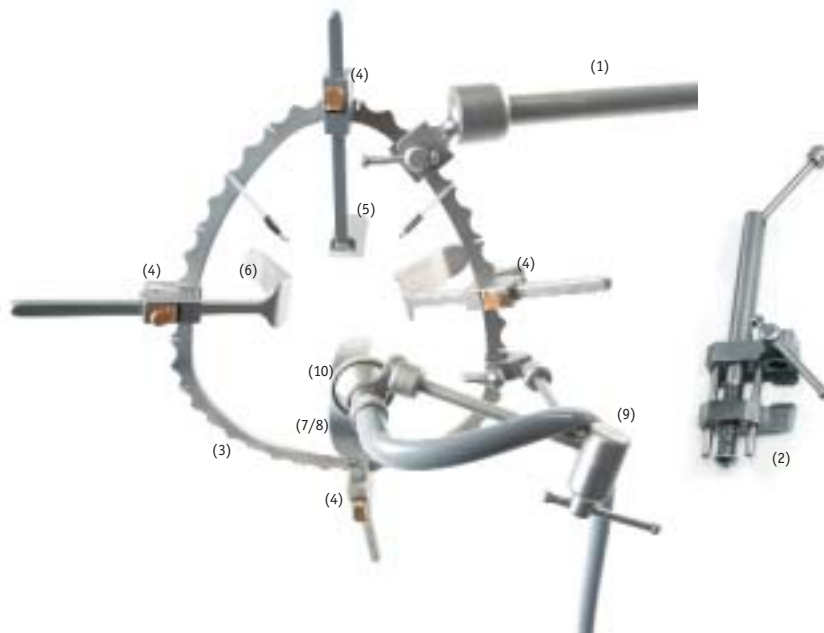
bestehend aus:	(1)	D.1100.30	1x
consisting of:	(2)	D.1100.32	1x
compuesto de:	(3)	D.1100.38	1x
composé de:	(4)	D.1100.40	1x
composto di:	(5)	D.1100.42	1x
	(6)	D.1100.50	3x
	(7)	D.1100.52	4x
	(8)	D.1100.54	2x
	(9)	D.1100.59	2x
	(10)	D.1100.60	2x
	(11)	D.1100.62	2x
	(12)	D.1100.64	2x
	(13)	D.1100.71	1x
	(14)	D.1100.74	1x
	(15)	D.1100.76	1x
	(16)	D.1100.68	1x
	(17)	D.1100.69	1x
	(18)	D.1100.90	1x
	(19)	D.1100.91	1x



### VAGINAL KIT D.1100.02

bestehend aus:	(1)	D.1100.30	1x
consisting of:	(2)	D.1100.32	1x
compuesto de:	(3)	D.1100.44	1x
composé de:	(4)	D.1100.52	4x
composto di:	(5)	D.1100.78	2x
	(6)	D.1100.79	2x
	(7)	D.1100.80	1x
	(8)	D.1100.81	1x

Optional:	(9)	D.1100.90	1x
optional:	(10)	D.1100.91	1x
Opcional:			
en opción:			
Opzionale:			



**GIMMI® GmbH**

Endoscopic Technology

Carl-Zeiss-Straße 6

D-78532 Tuttlingen

Telefon + 49 74 61 / 96 590-0

Telefax + 49 74 61 / 96 590-33

info@gimmi.de

www.gimmi.de

www.gimmi-germany.com